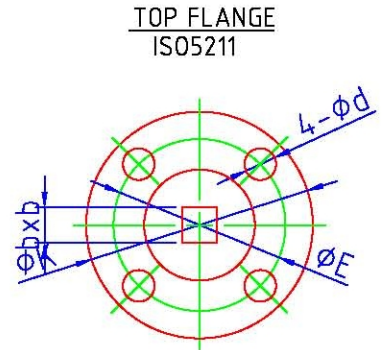
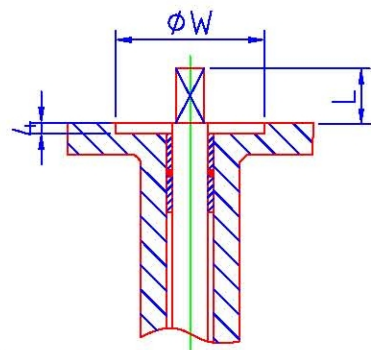
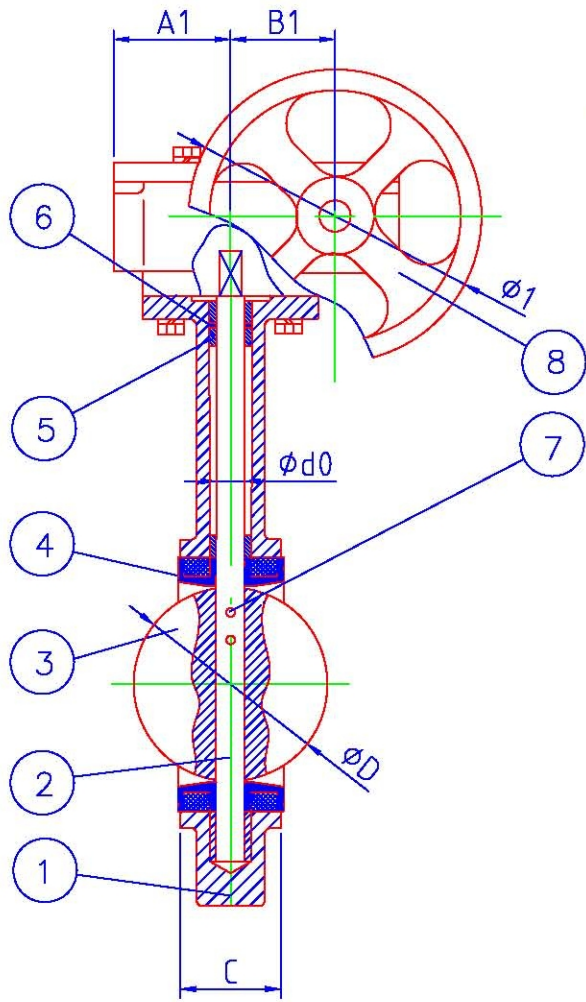
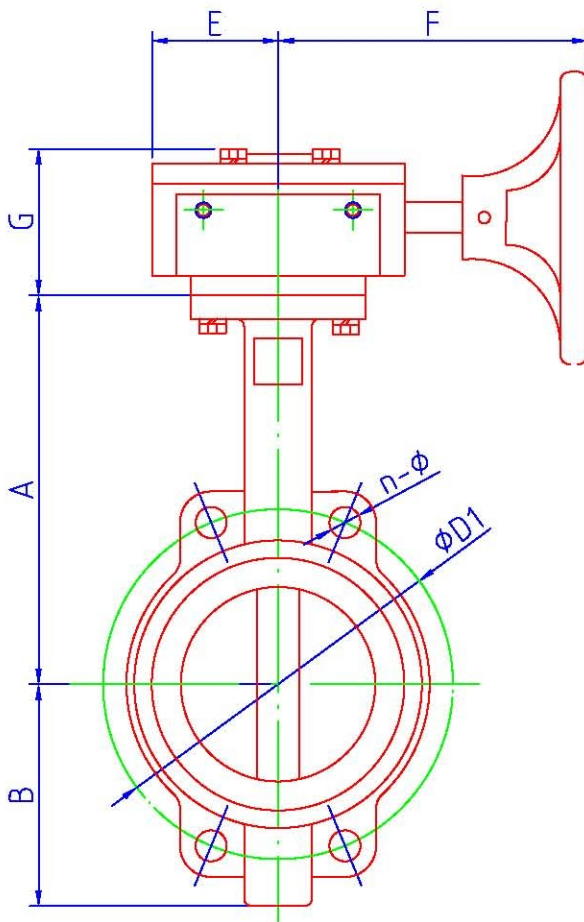


14			
13			
12			
11			
10			
9	LEVER	CAST IRON	1
8	INDICATOR	CARBON STEEL	1
7	O-RING	EPDM	1
6	BUSHING	P. T. F. E.	4
5			
4	SEAT	EPDM	1
3	STEM	SS416	1
2	DISC	SS304	1
1	BODY	GG25	1
No.	PARTS NAME	MATERIAL	QTY

2"	161	80	42	52.9	266	12.6	11X11	30	125	4-18	90	F07	90	70	4-10	50	4-7
2.5"	175	89	45.8	64.5	266	12.6	11X11	30	145	4-18	90	F07	90	70	4-10	50	4-7
3"	181	95	45.8	78.8	266	12.6	11X11	30	160	4-18	45	F07	90	70	4-10	50	4-7
4"	200	114	52	104	266	15.77	11X11	30	180	4-18	45	F07	90	70	4-10	—	—
5"	213	127	55	123.3	266	18.92	14X14	30	210	4-18	45	F07	90	70	4-10	—	—
6"	226	139	55.8	155.1	266	18.92	14X14	30	240	4-22	45	F07	90	70	4-10	—	—
8"	260	175	61.6	202.5	355	22.1	17X17	40	295	4-22	30	F10	125	102	4-12	—	—
10"	292	203	67.2	250.5	505	28.45	22X22	40	355	4-26	30	F10	125	102	4-12	—	—
12"	337	242	76.9	301.6	505	31.6	22X22	40	410	4-26	30	F10	140	102	4-12	—	—
SIZE	A	B	C	D	L0	d0	HXH	L	D1	4- $\phi$	$\&^\circ$	ISO5211	K	E	4- $\phi d$	E1	4- $\phi d1$

TEST PRESSURE	HYDROSTATIC	SHELL	24 kg/cm <sup>2</sup>	SEAL	17.6 kg/cm <sup>2</sup>
	AIR				
STAND-ARD	DESIGN CODE	BS5155			
	INSPECTION & TEST	DIN 3230 PART 3			
	END STANDARD	DIN PN16			
	FACE TO FACE	DIN 3202 K1			
TITLE: LEVER WAFER BUTTERFLY VALVE DN50 - DN300					
APPROVED		DWG No.		REV	
CHECKED					
DRAWN					
DESIGNED		SCALE		UNIT	mm

14"	83	81	227	81	80	300
SIZE	G	E	F	A1	B1	$\phi$



8	GERA	Cast iron	1	
7	PIN	SS316	2	ONLY 2-5" ONE PIN
6	O-RING	EPDM	1	
5	BUSHING	P.T.F.E.	4	
4	SEAT	EPDM/NBR	1	
3	DISC	SS304	1	
2	STEM	SS410/416	1	
1	BODY	GG25	1	

NO.	PARTS NAME	MATERIAL	QTY
TEST PRESSURE	HYDROSTATIC	SHELL 2.4 Mpa	SEAL 1.76 Mpa
	AIR		
STANDARD	DESIGN CODE	BS5155	
	INSPECTION & TEST	DIN3230 PART3	
	END STANDARD	DIN PN16	
	FACE TO FACE	DIN 3202 K1	

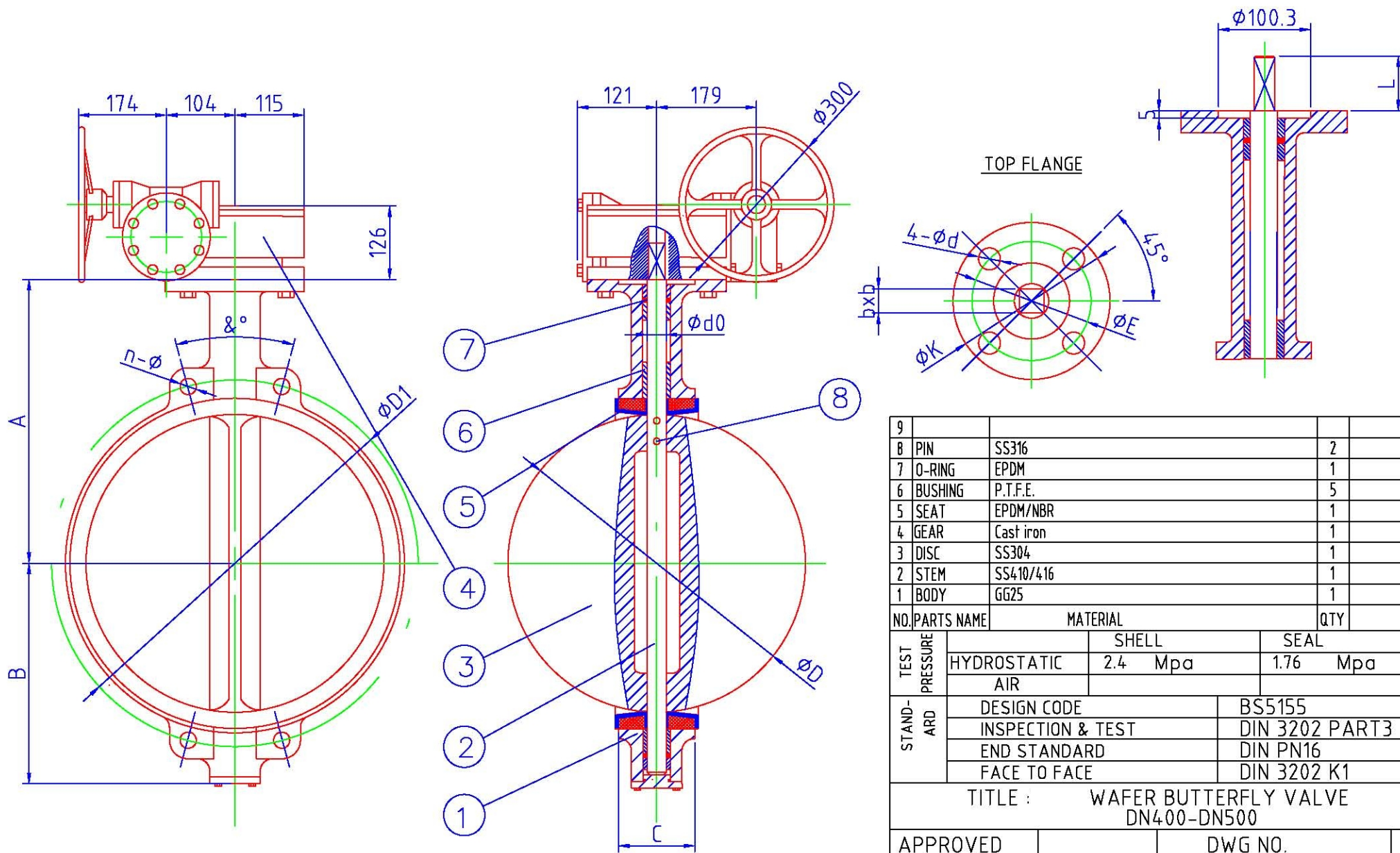
TITLE : WAFER BUTTERFLY VALVE  
DN350

APPROVED		DWG NO.	REV
CHECKED			
DRAWN			
DESIGNED		SCALE	UNIT mm

350	368	267	76.5	333.3	31.6	F10	45	140	102	4-12	22x22	70.25	470	4-26	22.5
SIZE	A	B	C	D	d0	ISO5211	L	K	E	4-phi d	bxb	W	D1	4-phi	&°

SIGNATURE Common Body Butterfly valve with pin  
Wafer type





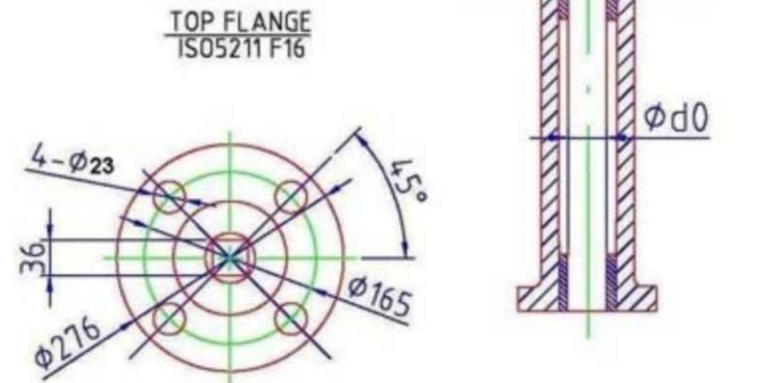
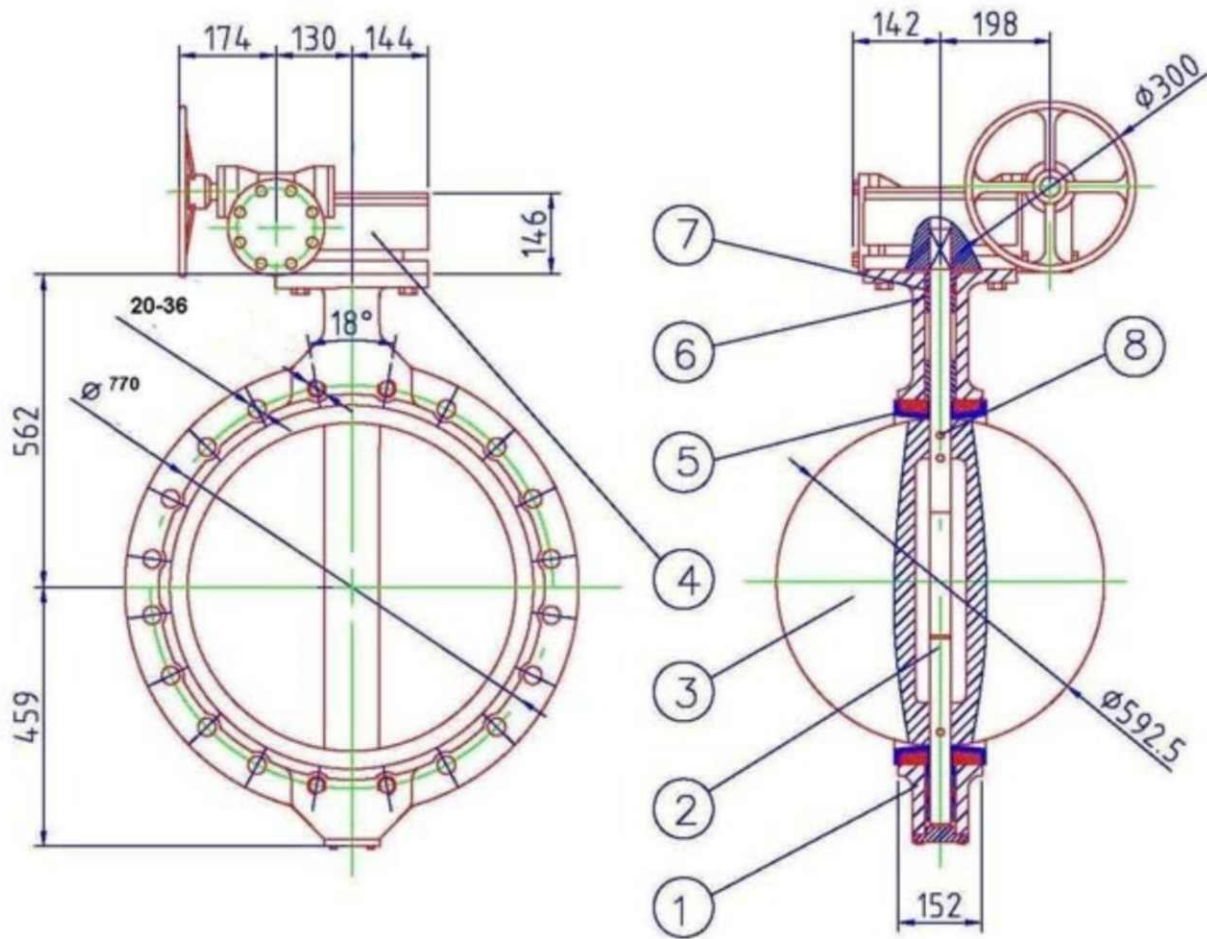
NO.	PARTS NAME	MATERIAL	QTY
9			
8	PIN	SS316	2
7	O-RING	EPDM	1
6	BUSHING	P.T.F.E.	5
5	SEAT	EPDM/NBR	1
4	GEAR	Cast iron	1
3	DISC	SS304	1
2	STEM	SS410/416	1
1	BODY	GG25	1

TEST PRESSURE	SHELL		SEAL	
	HYDROSTATIC	2.4	Mpa	1.76
STANDARD	DESIGN CODE		BS5155	
	INSPECTION & TEST		DIN 3202 PART3	
	END STANDARD		DIN PN16	
	FACE TO FACE		DIN 3202 K1	

TITLE : WAFER BUTTERFLY VALVE  
DN400-DN500

APPROVED	DWG NO.		REV
CHECKED			
DRAWN			
DESIGNED	SCALE	UNIT	mm
SIGNATURE			

400	400	309	86.5	389.6	33.15	52	F14	197	140	4-18	4-30	525	22.5	27x27
450	422	328	103.5	440.5	38	52	F14	197	140	4-18	4-30	585	18	27x27
500	480	361	129.8	491.6	41.15	65	F14	197	140	4-18	4-33	650	18	36x36
SIZE	A	B	C	D	d0	L	IS05211	K	E	4-d	n- $\phi$	D1	& $^\circ$	bx <b>b</b>



NO.	PARTS NAME	MATERIAL	QTY
9			
8	PIN	SS316	2
7	O-RING	EPDM	1
6	BUSHING	P.T.F.E.	5
5	SEAT	EPDM/NBR	1
4	GERA	Cast iron	1
3	DISC	SS304	1
2	STEM	SS410/416	1
1	BODY	GG25	1

TEST PRESSURE	SHELL		SEAL	
	HYDROSTATIC	2.4 Mpa	1.76 Mpa	
AIR				
STANDARD	DESIGN CODE		BS5155	
	INSPECTION & TEST		DIN3202 PART3	
	END STANDARD		DIN PN16	
	FACE TO FACE		DIN 3202 K1	

TITLE : WAFER BUTTERFLY VALVE  
DN600

APPROVED	DWG NO.		REV
CHECKED			
DRAWN			
DESIGNED	SCALE	UNIT	mm
SIGNATURE			