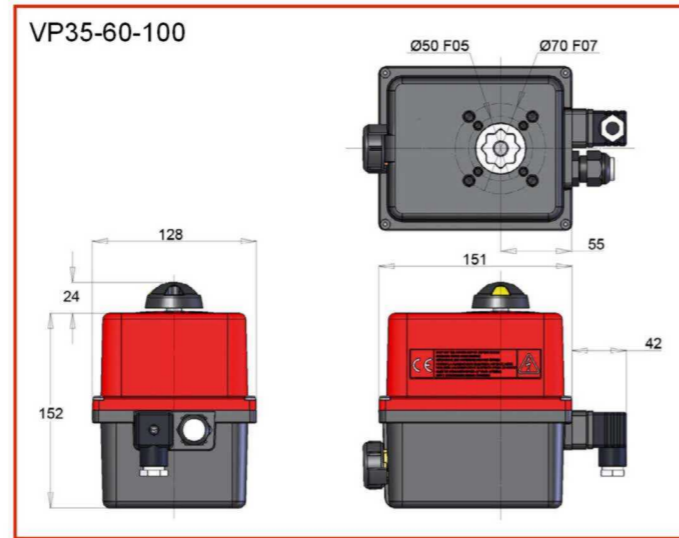
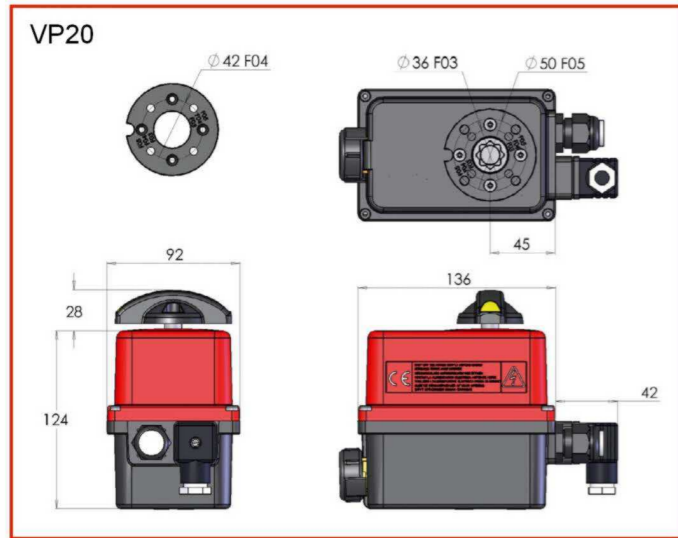


TECHNICAL DATA



VP type	VP20	VP35	VP60	VP100
Torque	20Nm	35Nm	60Nm	100Nm
Voltages	24V 50/60Hz (24V DC) 90V to 240V 50/60Hz (90V to 350V DC)			
Operating time 90° (±1s)	13s	8s	15s	25s
Power	15W		45W	
Star drive nut	14 Prof./depth : 16		22 Prof./depth : 24	
ISO flange	F03-F04-F05 Prof./depth : 14		F05-F07 Prof./depth : 16	
Limit switches		4		
Rotation angle		0°-90° (0°-180° or 0-270°)*		
Duty rating		30%		
Number of starts / hour		100		
Protection		IP65		
Temperature		-10°C to +55°C		
Weight	1 Kg		2.100 Kg	

Option on request.

Certifications	
CE marking	EMC conformity EN61000-6-4 (2007), EN61000-6-2 (2005) Low voltage directive EN61010-1 (2001)
IP65 housing tested according to CEI60529(2001) and NF EN 60529(2000) standard	
Equipment european directive (security machine) (2006/42/CE) as component	

ELECTRIC ACTUATORS



20Nm
⇓
100Nm

30%
Duty rating

IP65
Enclosure