

specification			
nominal pressure (MPa)	1.6		
Working medium	A variety of intensity corrosion liquids and gases without the solid grains.		
Seal test pressure (MPa)	1.8	Water	Usual Temp.
Shell test pressure (MPa)	2.4	Water	Usual Temp.
Airproof test (MPa)	0.6	Air	Usual Temp.
Back seal test (MPa)	—	Test medium	Test Temp. (C)
Drive part	Nominal diamet (mm)		
	Output torque (Nm)		
Spark test	Spark generator voltage 15kv, probe speed 50mm/s, scan along lining without hitting through		

Technical requirements

Design and manufacture: GB/T12238-2008
 Face to face: GB/T12221-2005
 Flange size: JB/T79-1994
 Inspection and test: GB/T13927-2008
 Body material: WCB
 Seat material: PTFE

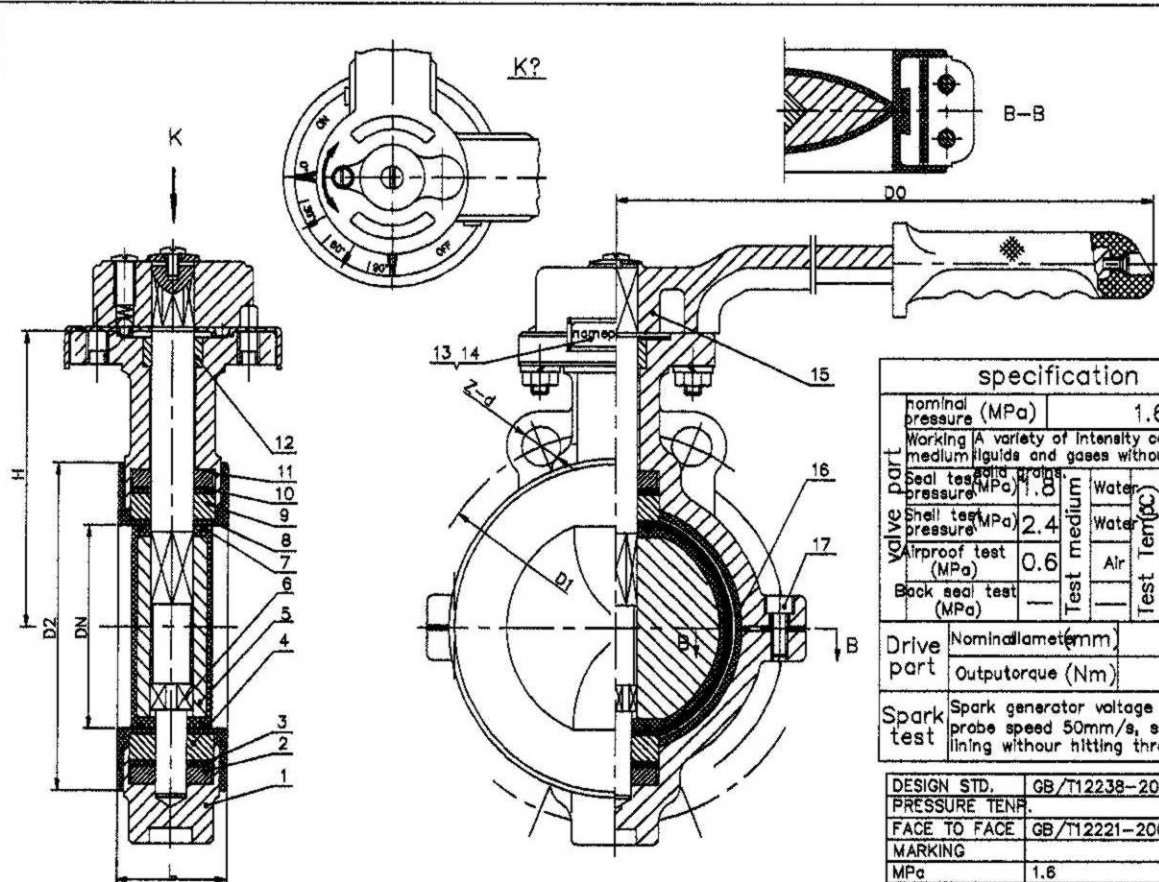
part's register (borrow or in common use)
 drawing
 correct
 old copy NO.
 copy NO.
 signature
 date

ITEM	PART NAME	MATERIAL
1	lower body	WCB
2	lower gasket	25#
3	washer	silicon rubber
4	lower fix ring	H62
5	"o" ring	FPM
6	lower stem	2Cr13
7	disc	WCB/PTFE
8	"o" ring	FPM
9	seat	PTFE
10	upper fix ring	H62
11	washer	silicon rubber
12	upper gasket	25#

ITEM	PART NAME	MATERIAL
13	bushing	H62
14	rivet	ML2
15	nameplate	1Cr18Ni9
16	lever	ZL101
17	silicon rubber	SI
18	screw	35#

NOTE: Do?H?Reference value.

65	46	145	114	250	160	4-ø18	
50	43	125	98	200	150	4-ø18	
40	43	110	98	200	150	4-ø18	
DN	L	D1	D2	D0	H	Z-d	REMARK
BUTTERFLY VALVE DN40-65							Assembly Drawing
Mark	Place	Revisio	Signature	Date	Symbol	Qty.	
Design		Standard			Weight	Scale	
Review		Approved					
Audit							
Process		Date					



ITEM	PART NAME	MATERIAL
1	upper&lower body	WCB
2	lower gasket	25#
3	silicon rubber washer	Silicon
4	lower fix ring	H62
5	disc	WCB/PTFE
6	stem	2Cr13
7	"o" ring	FPN
8	seat	PTFE
9	upper fix ring	H62
10	silicon rubber washer	Silicon
11	upper gasket	25#
12	bushing	H62
13	rivet	ML2
14	nameplate	1Cr18Ni9
15	handle	component
16	silicon rubber	SI
17	screw	35#

specification			
nominal pressure (MPa)	1.6		
Working medium	A variety of intensity corrosion medium liquids and gases without the solid grains.		
Seal test pressure (MPa)	1.8	Water	Usual Temp.
Shell test pressure (MPa)	2.4	Water	Usual Temp.
Airproof test (MPa)	0.6	Air	Usual Temp.
Back seal test (MPa)	—	—	—
valve part	Test medium	Test Temp(°C)	
Drive part	Nominal diameter(mm)		
	Output torque (Nm)		
Spark test	Spark generator voltage 15kv, probe speed 50mm/s, scan along lining without hitting through		

DESIGN STD.	GB/T12238-2008	CONNECTION END	RF
PRESSURE TENF.		PRESSURE TEST	GB/T13927-2008
FACE TO FACE	GB/T12221-2005	LEAKAGE RATE CLASS	
MARKING		FLANGE DIMENSION	JB/T79-1994
MPa	1.6	MATERIAL REQUIREMENT	

part's register
(borrow or in
common use)
drawing

correct

old copy NO.

copy NO.

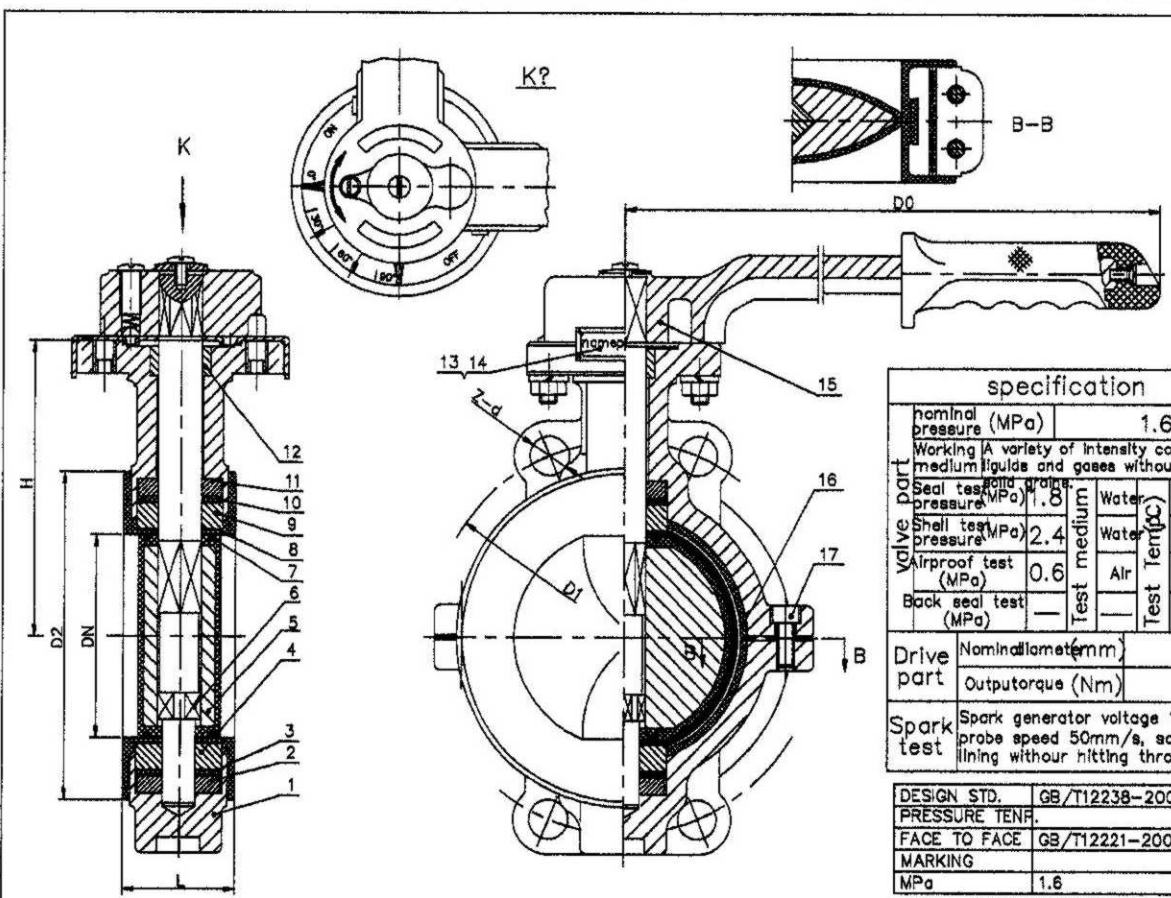
signature

date

DN	L	D1	D2	Z-#d	H	D0	OPERATION
80	46	160	130	8-#18	180	300	LEVER

CLIENT INFORMATION			
REF.			
CLIENT			
PROJECT			
ORDER			
OTHER			
REV.NO	MARK	SIGNATURE	DATE
DESIGN		PRODUCTION NO.	
APPROVED		ENQUIRY NO.	
DATE	06.05.10	PAGE	

TYPE:
BUTTERFLY VALVE



ITEM	PART NAME	MATERIAL
1	upper&lower body	WCB
2	lower gasket	25#
3	silicon rubber washer	Silicon
4	lower fix ring	H62
5	disc	WCB/PTFE
6	stem	2Cr13
7	o' ring	FPM
8	seat	PTFE
9	upper fix ring	H62
10	silicon rubber washer	Silicon
11	upper gasket	25#
12	bushing	H62
13	rivet	ML2
14	nameplate	1Cr18Ni9
15	handle	component
16	silicon rubber	SI
17	screw	35#

specification			
nominal pressure (MPa)	1.6		
Working A variety of intensity corrosion medium liquids and gases without the			
Seal test (MPa)	1.8	Water	Usual Temp.
Shell test (MPa)	2.4	Water	Usual Temp.
Airproof test (MPa)	0.6	Air	Usual Temp.
Back seal test (MPa)	—	Test medium	Test Temp.
Drive part	Nominal diameter (mm)		
	Output torque (Nm)		
Spark test	Spark generator voltage 15kv, probe speed 50mm/s, scan along lining without hitting through		

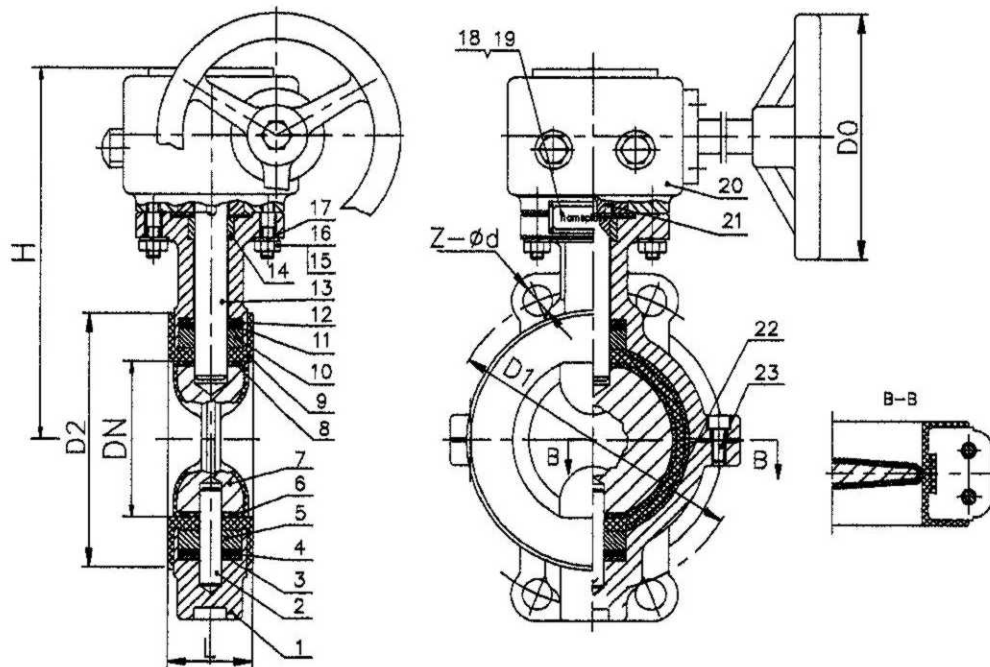
DESIGN STD.	GB/T12238-2008	CONNECTION END	RF
PRESSURE TENF.		PRESSURE TEST	GB/T13927-2008
FACE TO FACE	GB/T12221-2005	LEAKAGE RATE CLASS	
MARKING		FLANGE DIMENSION	JB/T79-1994
MPa	1.6	MATERIAL REQUIREMENT	

CLIENT INFORMATION			
REF.			
CLIENT			
PROJECT			
ORDER			
OTHER			
REV.NO	MARK	SIGNATURE	DATE
DESIGN		PRODUCTION NO.	
APPROVED		ENQUIRY NO.	
DATE	06.05.10	PAGE	

TYPE:
BUTTERFLY VALVE

part's register
(borrow or in common use)
drawing
correct
old copy NO.
copy NO.
signature
date

DN	L	D1	D2	Z-#d	H	D0	OPERATION
100	52	180	149	8-#18	195	300	LEVER
125	56	210	176	8-#18	220	400	LEVER
150	56	240	203	8-#23	250	400	LEVER



specification			
nominal pressure (MPa)	1.6		
Working medium	A variety of intensity corrosion liquids and gases without the solid grains.		
Seal test pressure (MPa)	1.8	Water	Usual Temp.
Shell test pressure (MPa)	2.4	Water	Usual Temp.
Airproof test (MPa)	0.6	Air	Usual Temp.
Back seal test (MPa)	—	—	—
Drive part	Nominal diameter (mm)		
	Output torque (Nm)		
Spark test	Spark generator voltage 15kv, probe speed 50mm/s, scan along lining without hitting through		

Technical requirements

Design and manufacture: GB/T12238-2008
 Face to face: GB/T12221-2005
 Flange size: JB/T79-1994
 Inspection and test: GB/T13927-2008
 Body material: WCB
 Seat material: PTFE

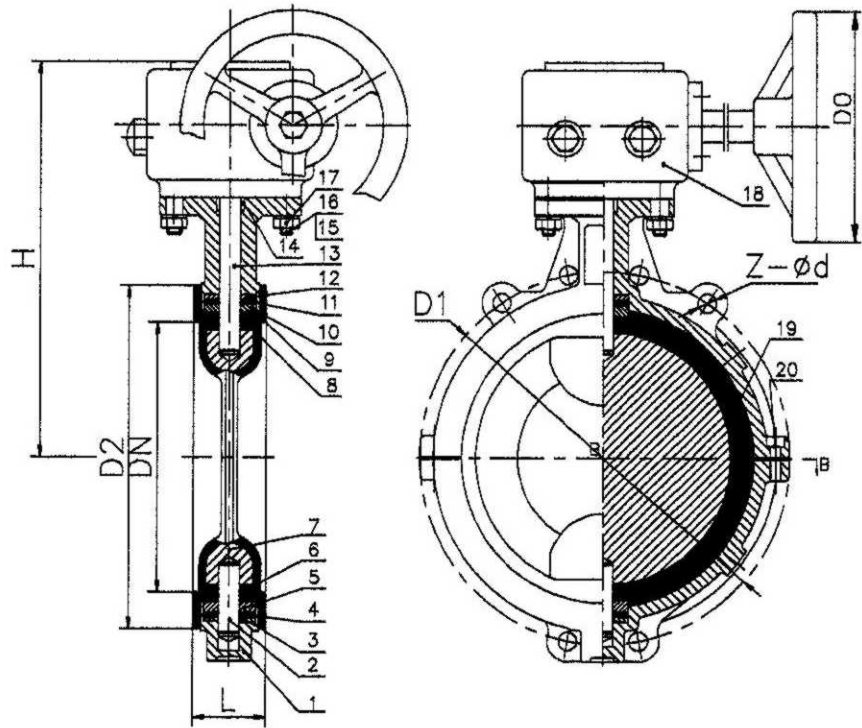
part's register (borrow or in common use)
 drawing
 correct
 old copy NO.
 copy NO.
 signature
 date

ITEM	PART NAME	MATERIAL
1	lower body	WCB
2	lower stem	2Cr13
3	lower gasket	25#
4	washer	silicon rubber
5	lower fix ring	H62
6	"o" ring	FPM
7	disc	WCB/FEP
8	"o" ring	FPM
9	seat	PTFE
10	upper fix ring	H62
11	washer	silicon rubber
12	upper gasket	25#

ITEM	PART NAME	MATERIAL
13	upper stem	2Cr13
14	bushing	H62
15	bolts	35#
16	nuts	30#
17	washer	65Mn
18	rivet	ML2
19	nameplate	1Cr18Ni9
20	worm box	purchase
21	key	45#
22	pad	silicon rubber
23	screw	35#

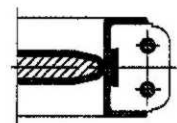
NOTE: DoPH? Reference value.

300	78	410	368	280	395	12-ø25			
DN	L	D1	D2	D0	H	Z-d	REMARK		
							BUTTERFLY VALVE		
							DN300		
Mark Place Review/Signature/Date							Assembly Drawing		
Design	Standard		Symbol	Qty.	Weight	Scale			
Review	Approved								
Audit									



specification				
nominal pressure (MPa)	1.6			
Working medium	A variety of Intensity corrosion liquids and gases without the solid grains.			
Seal test pressure (MPa)	1.8	Water	Usual Temp.	
Shell test pressure (MPa)	2.4	Water	Usual Temp.	
Airproof test (MPa)	0.6	Air	Usual Temp.	
Back seal test (MPa)	—	—	—	—
Drive part	Nominal diameter (mm)			
	Output torque (Nm)			
Spark test	Spark generator voltage 15kv, probe speed 50mm/s, scan along lining without hitting through			

B-B



Technical requirements

- Design and manufacture: GB/T12238-2008
- Face to face: GB/T12221-2005
- Flange size: JB/T79-1994
- Inspection and test: GB/T13927-2008
- Body material: WCB
- Disc material: WCB
- Seat material: PTFE

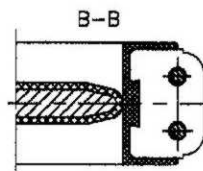
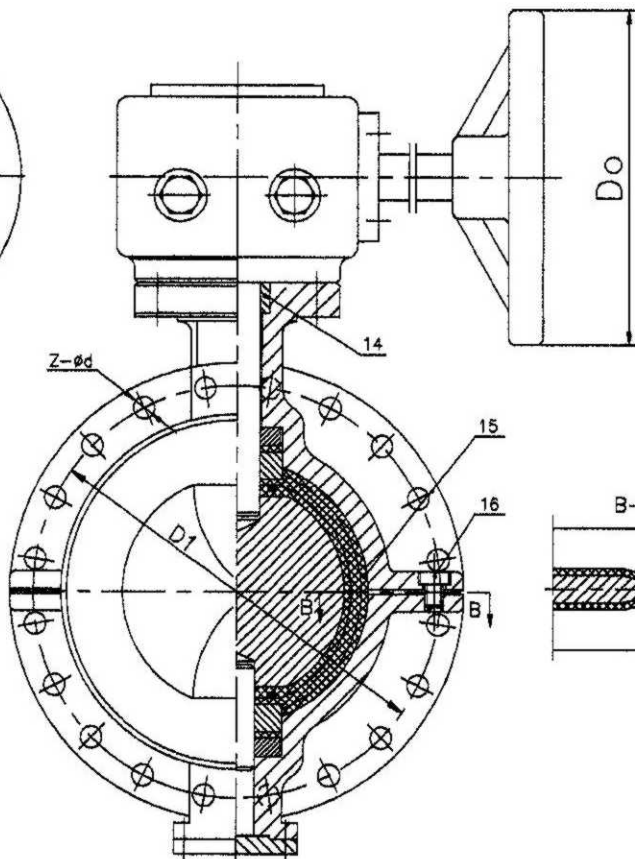
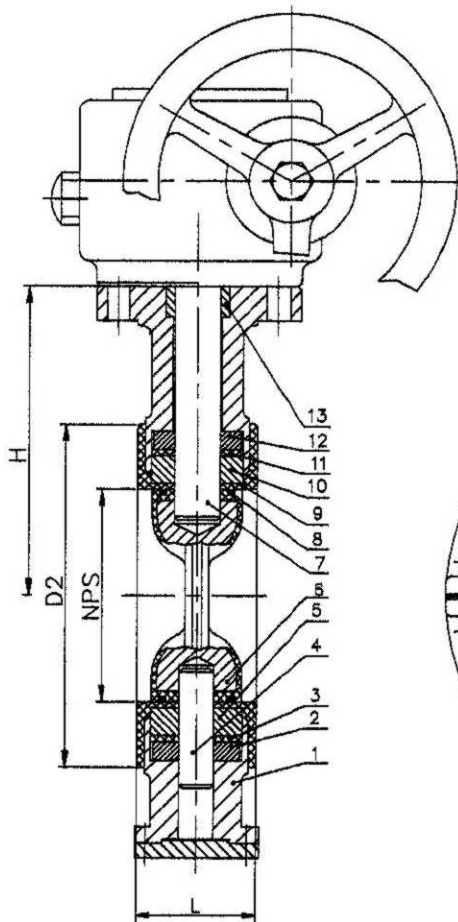
part's register (borrow or in common use)
drawing
correct
old copy NO.
copy NO.
signature
date

ITEM	PART NAME	MATERIAL
1	lower body	WCB
2	lower stem	2Cr13
3	lower gasket	25#
4	washer	silicon rubber
5	lower fix ring	H62
6	"o" ring	FPM
7	disc	WCB/FEP
8	"o" ring	FPM
9	seat	PTFE
10	upper fix ring	H62
11	washer	silicon rubber
12	upper gasket	25#

ITEM	PART NAME	MATERIAL
13	upper stem	2Cr13
14	bushing	H62
15	bolts	35#
16	nuts	30#
17	washer	65Mn
18	worm box	purchase
19	pad	silicon rubber
20	screw	35#
21		
22		
23		
24		

NOTE: Do?H?Reference value.

400	102	525	485	320	480	16-ø30	
350	78	470	414	320	420	16-ø25	
DN	L	D1	D2	D0	H	Z-d	REMARK
BUTTERFLY VALVE							
DN350-400							
Mark	Place	Revision	Signature	Date	Assembly Drawing		
Design		Standard	Approved				
Review		Approved					
Audit							
Process		Date					



specification			
nominal pressure (MPa)	1.6		
Working medium	A variety of intensity corrosion liquids and gases without the solid grains.		
Seal test pressure (MPa)	1.8	Water	Usual Temp.
Shell test pressure (MPa)	2.4	Water	Usual Temp.
Airproof test (MPa)	0.6	Air	Usual Temp.
Back seal test (MPa)	—	—	—
Drive part	Nominal diamet (mm)		
	Output torque (Nm)		
Spark test	Spark generator voltage 15kv, probe speed 50mm/s, scan along lining without hitting through		

Technical requirements

Design and manufacture: GB/T12238-2008
 Face to face: GB/T12221-2005
 Flange size: JB/T79-1994
 Inspection and test: GB/T13927-2008
 Body material: WCB
 Seat material: FEP

part's register
(borrow or in common use)

drawing

correct

old copy NO.

copy NO.

signature

date

ITEM	PART NAME	MATERIAL
1	lower body	WCB
2	lower gasket	25#
3	washer	silicon rubber
4	stem	2Cr13
5	lower fix ring	H62
6	disc	WCB/FEP
7	upper stem	2Cr13
8	"o" ring	FPM
9	seat	FEP
10	upper gasket	H62
11	washer	silicon rubber
12	upper fix ring	25#

ITEM	PART NAME	MATERIAL
13	bushing	H62
14	key	45#
15	pad	silicon rubber
16	screw	35#

NOTE: Do?H?Reference value.

600	154	770	670	360	630	20-ø41	
500	127	650	580	320	565	20-ø34	
450	114	585	528	320	525	20-ø30	
DN	L	D1	D2	D0	H	Z-d	REMARK

BUTTERFLY VALVE

Mark	Place	Revision	Signature	Date	Symbol	Qty.	Weight	Scale
Design		Standard						
Review		Approved						
Audit								
Process		Date						

Assembly Drawing