

# Ball Valve

## BK

### Wafer Type Stainless Steel Ball Valve (ISO-Direct Mounting Pad) Full Port, 1000WOG, PN16/40

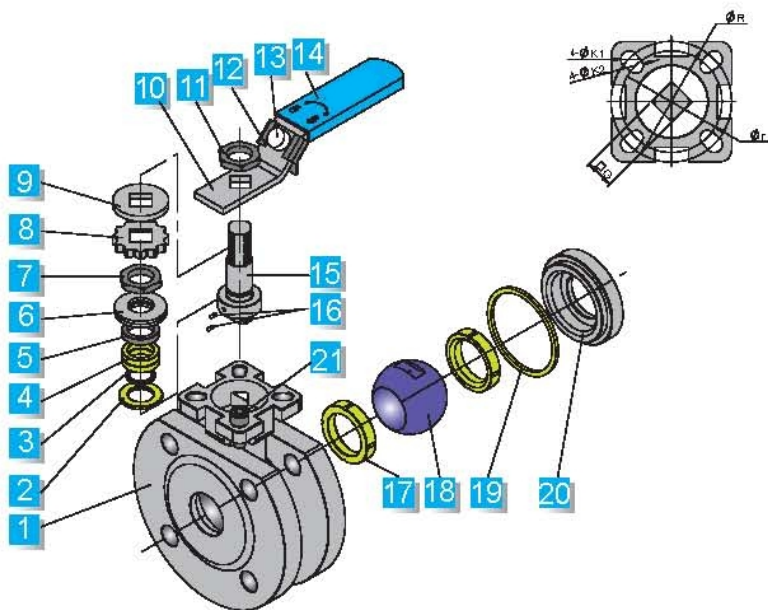
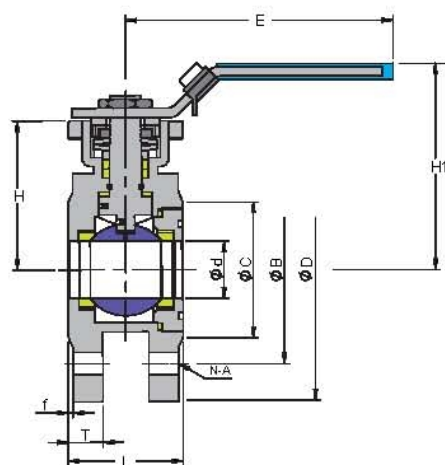
#### FEATURES:

- Blow-out Proof Stem
- Anti-Static Device for Ball-Stem-Body
- Pressure Balance Hole in Ball Slot
- 2 Belleville Washer to Self-adjust Packing
- ISO 5211 Direct Mounting Pad for Easy Automation
- Locking Device Spring Handle, **New Design**
- Fire-Safe Design Available

#### STANDARD:

- Design: ASME B16.34, API 608
- Wall Thickness: EN12516-1
- Flange End: ASME B16.5 CLASS 150/300  
DIN 2653 PN10-PN40  
JIS B2238 10K/20K
- Inspection & Testing: API 598, EN 12266

| NO | PART NAME          | MATERIAL |        |     |
|----|--------------------|----------|--------|-----|
|    |                    |          |        |     |
| 1  | Body               | CF8M     | CF8    | WCB |
| 2  | Thrust Washer      | PTFE     |        |     |
| 3  | O-Ring             | VITON    | FKM    |     |
| 4  | V-Ring Packing     | PTFE     |        |     |
| 5  | Gland              | SUS304   |        |     |
| 6  | Belleville Washer  | SUS301   |        |     |
| 7  | Stop Nut           | A194-8   |        |     |
| 8  | Stop Cap           | SUS301   |        |     |
| 9  | Washer             | SUS304   |        |     |
| 10 | Handle             | SUS304   |        |     |
| 11 | Stem Nut           | A194-8   |        |     |
| 12 | Locking Device     | SUS301   |        |     |
| 13 | Plastic Pin        | Plastic  |        |     |
| 14 | Handle Cover       | Plastic  |        |     |
| 15 | Stem               | SUS316   | SUS304 |     |
| 16 | Anti-Static Device | SUS316   | SUS304 |     |
| 17 | Ball Seat          | PTFE     | RPTFE  |     |
| 18 | Ball               | CF8M     | CF8    |     |
| 19 | Body Gasket        | PTFE     |        |     |
| 20 | Cap                | CF8M     | CF8    | WCB |
| 21 | Position Bolt      | SUS304   |        |     |



Unit:mm

| Size  | PN    | ød  | L   | øC  | øB  | øD  | H   | H1  | E   | f | T   | □G | øR  | ør | øK1 | øK2 | N | A   | ISO-5211 |
|-------|-------|-----|-----|-----|-----|-----|-----|-----|-----|---|-----|----|-----|----|-----|-----|---|-----|----------|
| DN15  | 10-40 | 15  | 42  | 45  | 65  | 95  | 46  | 75  | 105 | 2 | 9   | 9  | 42  | 36 | 6   | 6   | 4 | M12 | F03-F04  |
| DN20  | 10-40 | 20  | 44  | 58  | 75  | 105 | 50  | 75  | 105 | 2 | 9   | 9  | 50  | 36 | 7   | 6   | 4 | M12 | F03-F04  |
| DN25  | 10-40 | 25  | 50  | 68  | 85  | 115 | 62  | 85  | 120 | 2 | 9   | 11 | 50  | 42 | 7   | 6   | 4 | M12 | F04-F05  |
| DN32  | 10-40 | 32  | 60  | 78  | 100 | 140 | 73  | 95  | 120 | 2 | 12  | 11 | 70  | 42 | 9   | 6   | 4 | M16 | F04-F05  |
| DN40  | 10-40 | 38  | 65  | 88  | 110 | 150 | 78  | 105 | 165 | 3 | 13  | 14 | 70  | 50 | 9   | 7   | 4 | M16 | F05-F07  |
| DN50  | 10-40 | 50  | 80  | 102 | 125 | 165 | 85  | 110 | 165 | 3 | 20  | 14 | 70  | 50 | 9   | 7   | 4 | M16 | F05-F07  |
| DN65  | 10/16 | 64  | 110 | 122 | 145 | 185 | 110 | 135 | 205 | 3 | 18  | 17 | 102 | 70 | 11  | 9   | 4 | M16 | F07-F10  |
|       | 25/40 |     | 113 |     |     |     |     |     |     |   | 8   |    |     |    |     |     |   |     |          |
| DN80  | 10/16 | 78  | 120 | 138 | 159 | 200 | 115 | 165 | 205 | 3 | 20  | 17 | 102 | 70 | 11  | 9   | 8 | M16 | F07-F10  |
|       | 25/40 |     | 154 |     |     |     |     |     |     |   | 24  |    |     |    |     |     |   |     |          |
| DN100 | 10/16 | 98  | 150 | 158 | 180 | 220 | 141 | -   | -   | 3 | 20  | 22 | 102 | -  | 11  | -   | 8 | M16 | F10      |
|       | 25/40 |     |     | 162 |     |     |     |     |     |   | 235 |    |     |    |     |     |   |     |          |
| DN125 | 10/16 | 118 | 180 | 188 | 210 | 250 | 175 | -   | -   | 3 | 22  | 27 | 125 | -  | 14  | -   | 8 | M16 | F12      |
|       | 25/40 |     |     |     | 220 |     |     |     |     |   | 270 |    |     |    |     |     |   |     |          |
| DN150 | 10/16 | 144 | 225 | 212 | 240 | 285 | 193 | -   | -   | 3 | 22  | 27 | 125 | -  | 14  | -   | 8 | M20 | F12      |
|       | 25/40 |     |     | 218 |     |     |     |     |     |   | 250 |    |     |    |     |     |   |     |          |