

Ball Valve

BEF

3PC Ball Valve, Flange End, 150LB, PN16-40

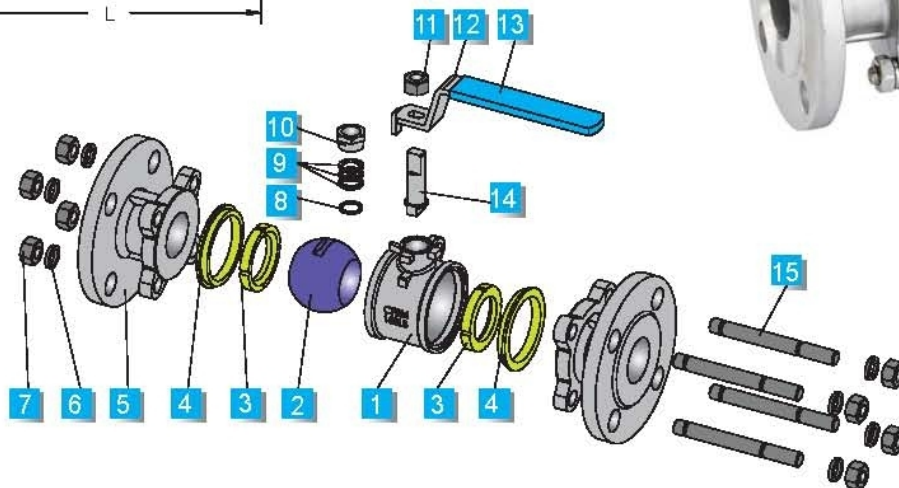
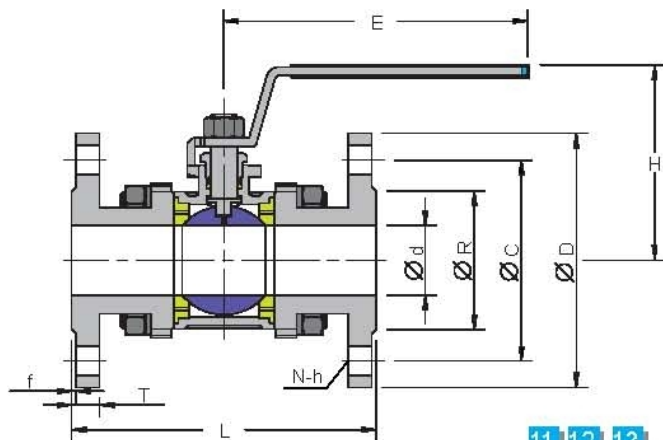
FEATURES:

- Blow-out Proof Stem
- Investment Casting Body
- Pressure Balance Hole in Ball Slot
- Full Port
- Various Flange Standard Available
- Locking Device Available

STANDARD:

- Design: ASME B16.34
- Wall Thickness: ASME B16.34
- Flange Standard: ASME 16.5
DIN PN16-40
JIS 10K/20K
- Face to Face Acc: ASME B16.10, DIN 3202-F1
- Inspection & testing: API 598

NO.	PART NAME	MATERIAL		
1	Body	CF8M	CF8	WCB
2	Ball	CF8M	CF8	
3	Ball Seat	PTFE	RTFE	PEEK
4	Gasket	PTFE		
5	Cap	CF8M	CF8	WCB
6	Spring Washer	SS304		
7	Nut	A194-8		
8	Thrust Washer	PTFE		
9	Stem Packing	PTFE		
10	Stop Nut	SUS 304		
11	Stem Nut	A193-B8		
12	Handle	SS304		
13	Handle Cover	Plastic		
14	Stem	SS316	SS304	
15	Bolt	SS304		



Unit:mm

Size	L		Ød	ØC		ØR	ØD		H	E	T		f	N		h	
	150LB	300LB		150LB	300LB		150LB	300LB			150LB	300LB		150LB	300LB	150LB	300LB
1/2"	108	140	15	60.5	66.5	35	89	95.3	83	120	9.7	14.3	2	4	4	16	16
3/4"	117	152	20	70	82.6	43	98.6	118	85	120	10.5	15.9	2	4	4	16	19
1"	127	165	25	79.2	88.9	51	108	124	85	160	11.2	17.5	2	4	4	16	19
1-1/4"	140	179	32	88.9	98.6	63.5	117	133.5	95	160	12.7	19.1	3	4	4	16	19
1-1/2"	165	190	40	98.6	114.3	73.2	127	155.5	100	205	14.2	20.7	3	4	4	16	22.3
2"	178	216	50	120.7	127	92	152.5	165	110	205	15.9	22.3	3	4	8	19	19
2-1/2"	190	240	65	139.7	150	104.7	178	191	120	250	17.5	25.5	3	4	8	19	22.3
3"	203	282	80	152.4	168	127	190.5	210	135	250	19.1	28.6	3	4	8	19	22.3
4"	230	305	100	190.5	200	157.2	228.5	254	145	350	23.9	31.8	3	8	8	19	22.3